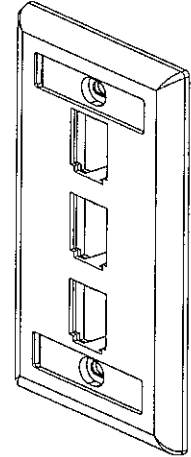
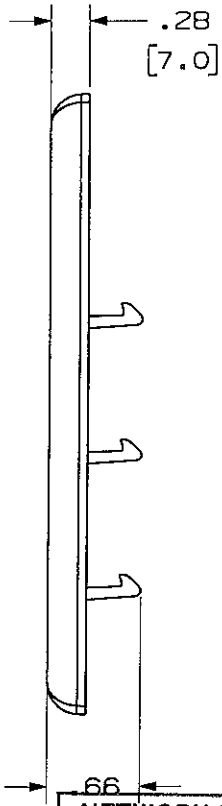
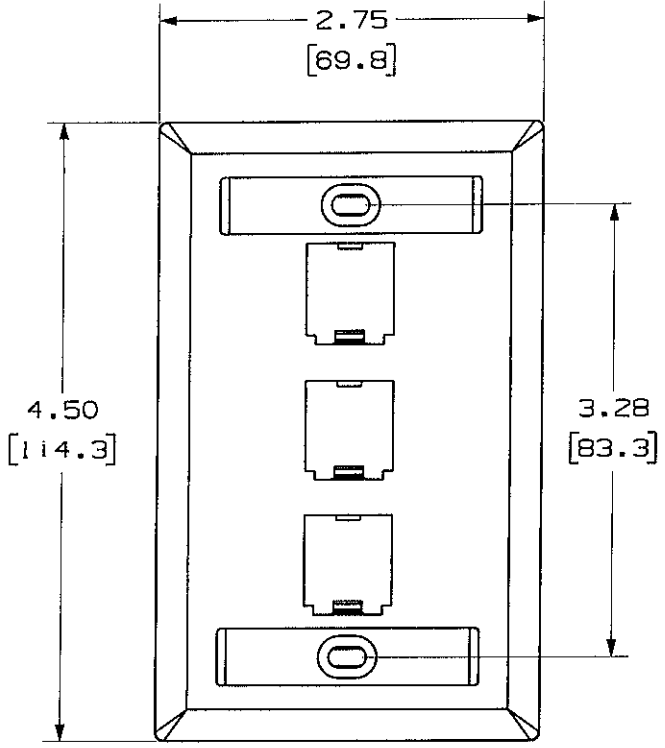


THIS COPY IS PROVIDED ON A RESTRICTED BASIS AND IS NOT TO BE USED IN ANY WAY DETRIMENTAL TO THE INTERESTS OF PANDUIT CORP.

PANDUIT P/N	WEIGHT
CFPL3**Y	.56 LB/10 PCS. (253.8 G/10 PCS.)

- NOTES:
- SEE CURRENT CATALOG FOR ADDITIONAL PART NUMBER SUFFIXES TO INDICATE COLOR AND OR PACKAGE QUANTITY.
 - SEE CATALOG FOR COMPLETE LIST OF PARTS APPLICABLE FOR USE WITH THIS PART.
 - PART INCLUDES:
 - 1- FACEPLATE
 - 2- MOUNTING SCREW
 - 2- LABEL
 - 2- LABEL COVER
 - DIMENSIONS IN [] ARE IN METRIC.



NETWORK SYSTEMS
MAY 25 2006
ENGINEERING DEPT

MODEL FILENAME	M00734BD_3POS_VERT_00.PRT	SIZE	A
DRAWING FILENAME	M02479ED_DC110_00A.PRT		
MINI-COM 3 POSITION VERTICAL FACEPLATE WITH LABEL CUSTOMER DRAWING			
	PANDUIT TM CORP. TINLEY PARK, ILL 60477	I.I. NUMBER	N/A
ALL DIMENSIONS ARE GIVEN IN INCHES. UNLESS OTHERWISE SPECIFIED. DIMENSIONAL TOLERANCES ARE: (.X) ± (.XXX) ± .010(.3) (.XX) ± .031(.8) ANGLES ±		PRODUCT SPEC	N/A
		WORK INSTRUCTION	N/A
THIRD ANGLE PROJECTION		SCALE	NONE
DRAWN BY	JsP	MATERIAL:	ABS
DATE	4-26-06	PART NO.	CFPL3**Y
CHK'D	<i>[Signature]</i>	DRAWING NO.	02479-110

REV	DATE	BY	CHK	DESCRIPTION	ECN	R	CUST	SUP	OTH
R	4-26-06	JsP	<i>[Signature]</i>	RELEASED TO PRODUCTION	02479-110	<i>[Signature]</i>	<i>[Signature]</i>		